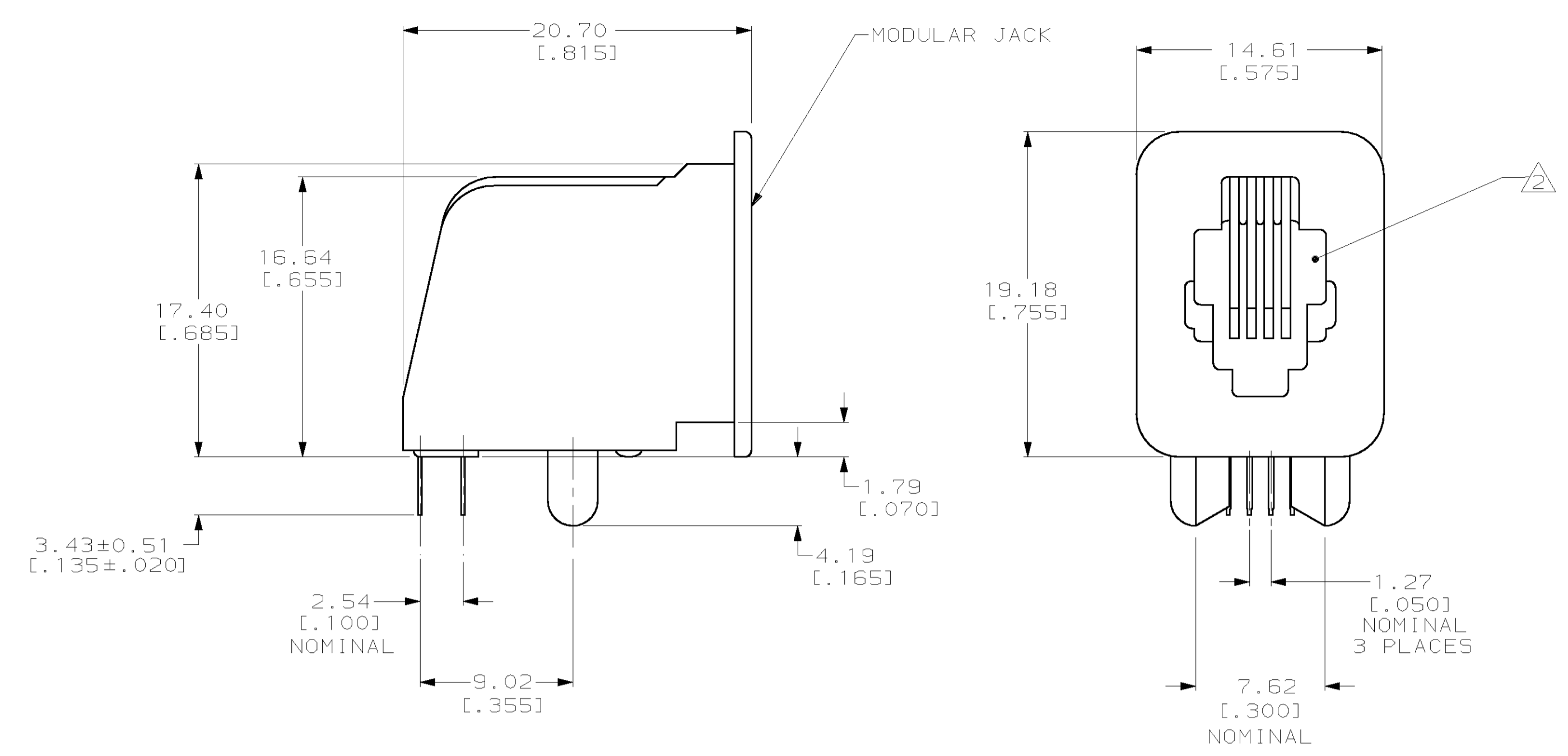
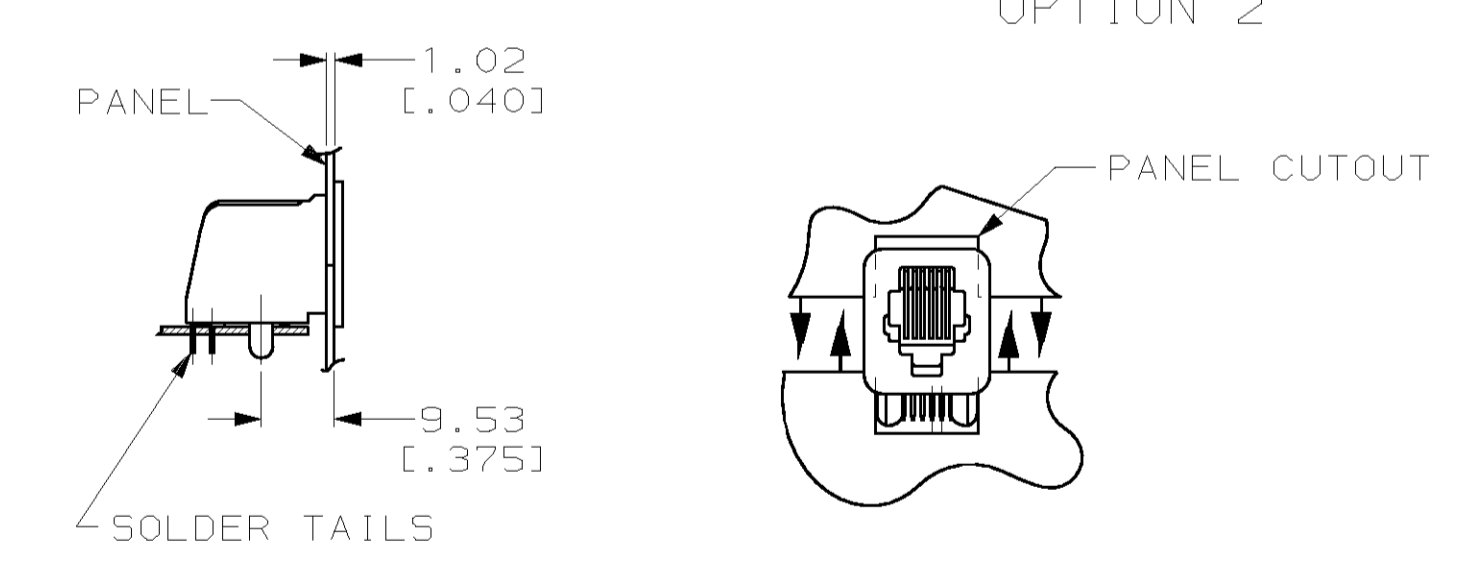
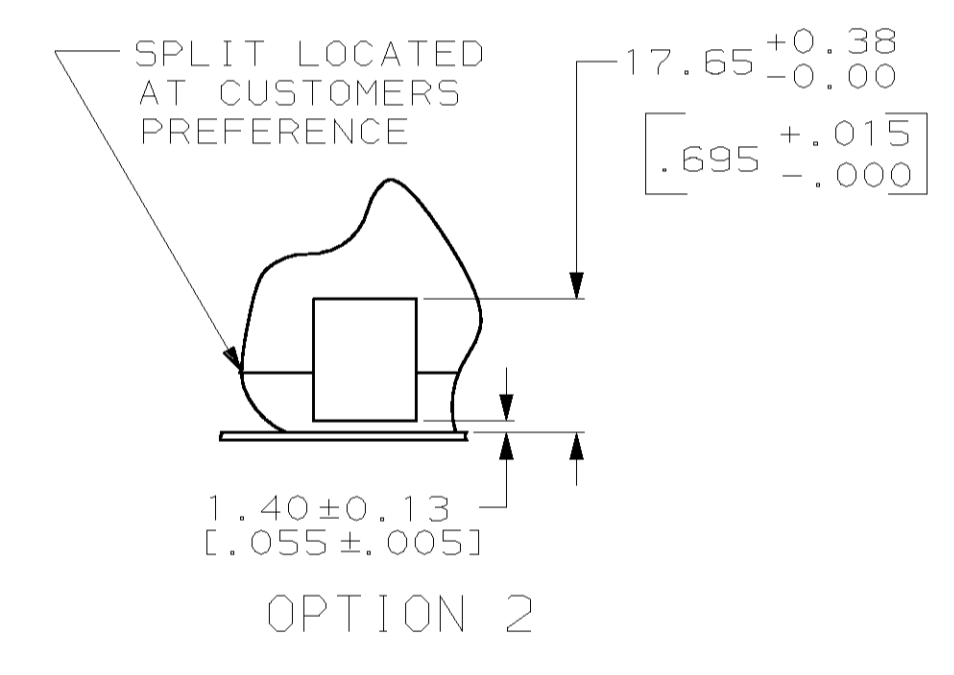
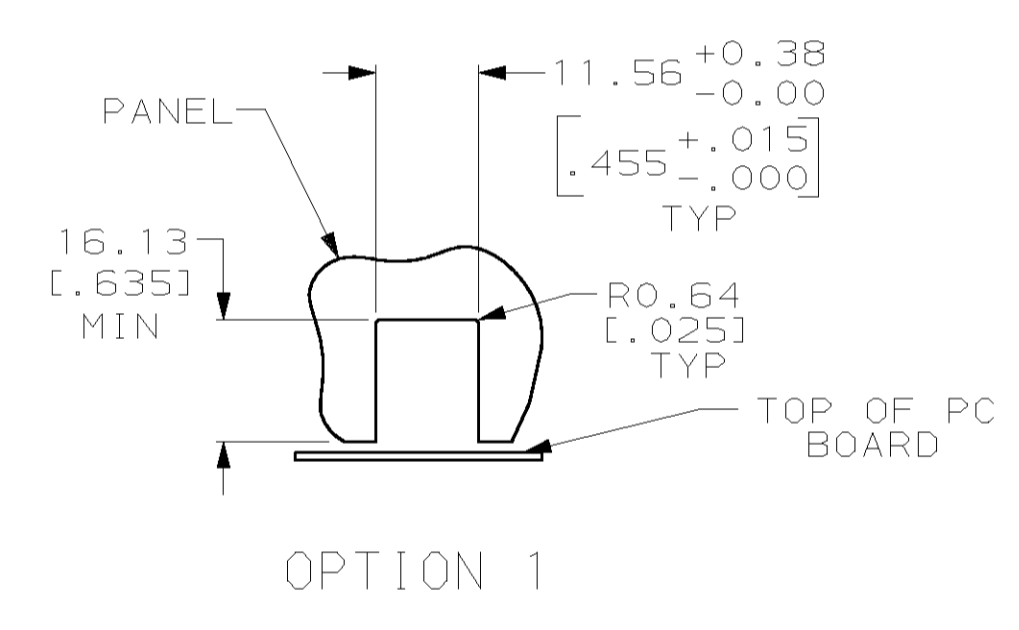
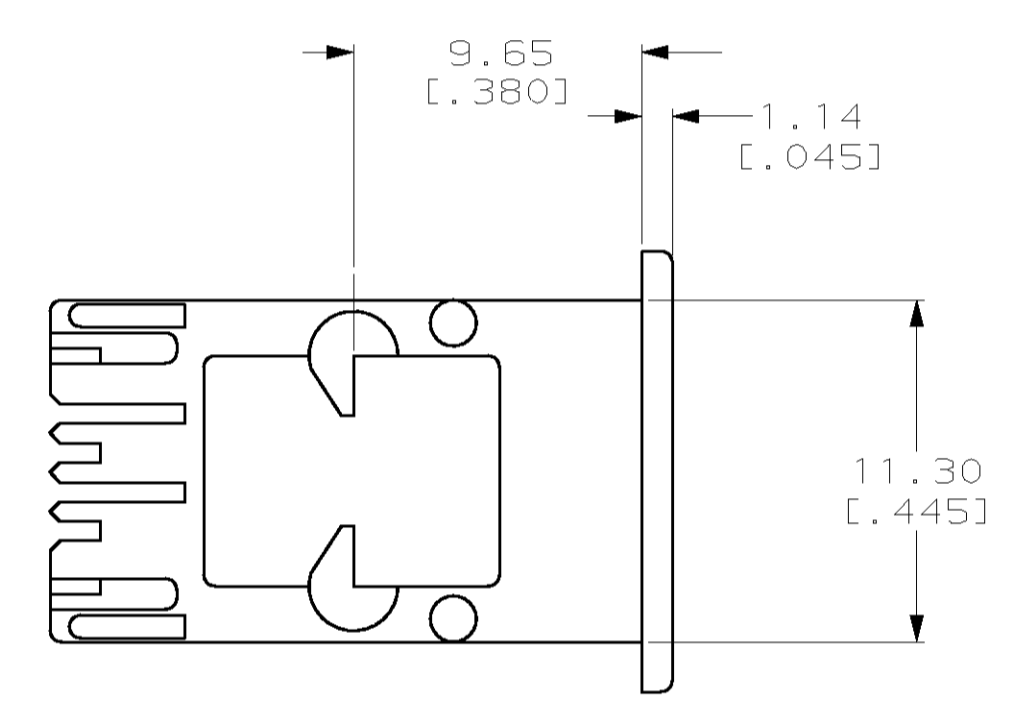


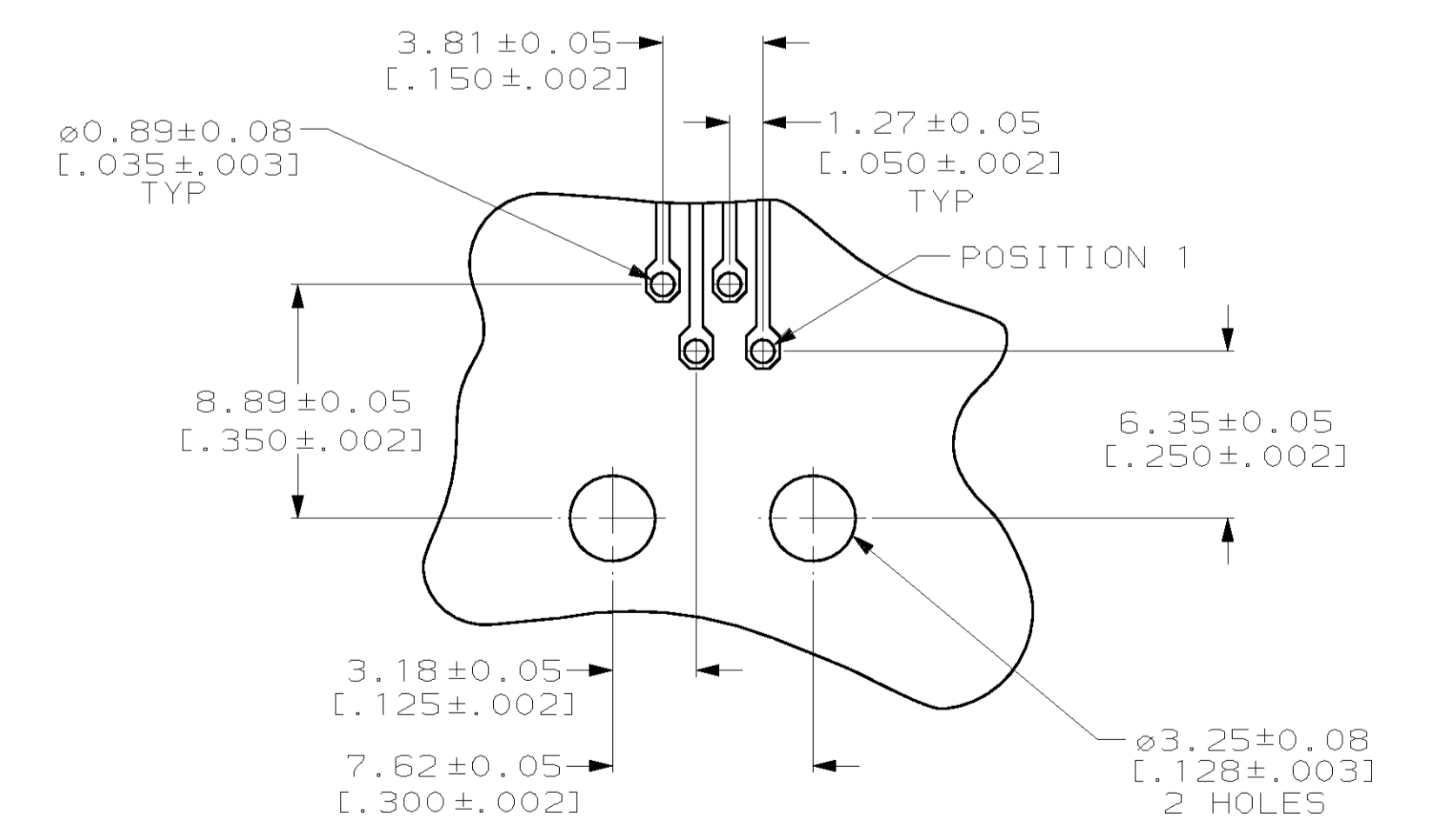
LOC	DIST	REVISIONS			
F	CHR	DESCRIPTION	DATE	DWN	APVD
E		REVISED, EC 0210-0051-94	10MAR94	KT	NJ



- 1 MATERIAL: HOUSING - PBT POLYESTER (BLACK).
 TERMINAL - 0.35 [0.0138] THICK PHOS-BRONZE PLATED WITH 0.0013 [0.00005] THICK HARD GOLD IN LOCALIZED GOLD PLATE AREA AND 0.0020 [0.00008] THICK TIN-LEAD IN SOLDER AREA OVER 0.0013 [0.00005] THICK NICKEL UNDERPLATE.
- 2 CAVITY CONFORMS TO FCC RULES AND REGULATIONS PART 68 AND REA BULLETIN 345-81, PE-76 SPECIFICATION FOR MODULAR TELEPHONE HARDWARE.
- 3. ALL DIMENSIONS ARE MAXIMUM UNLESS OTHERWISE SPECIFIED.



SUGGESTED PANEL CUTOUT GUIDELINES
 SCALE 1:1



SUGGESTED PRINTED CIRCUIT BOARD LAYOUT
 (VIEW SHOWN IS CIRCUIT SIDE OF BOARD)

520241-2
 PART NUMBER

THIS DRAWING IS A CONTROLLED DOCUMENT.		DWN K. TILLMAN/UTA	10 MAR 94	AMP Incorporated Harrisburg, PA 17105-3608
DIMENSIONS: mm [INCHES]		CHK: N. JONES	01 APR 94	
TOLERANCES UNLESS OTHERWISE SPECIFIED:		APVD: J. TONEY	01 APR 94	NAME PRINTED CIRCUIT BOARD MODULAR JACK ASSEMBLY, SIDE ENTRY, 4 POSITION, FLANGED
0 PLC ±	1 PLC ±	PRODUCT SPEC 108-1163		SIZE 114-2048
2 PLC ±	3 PLC ±	APPLICATION SPEC		WEIGHT -
4 PLC ±	ANGLES ±	MATERIAL		SCALE 4:1
FINISH		CUSTOMER DRAWING		SHEET 1 OF 1